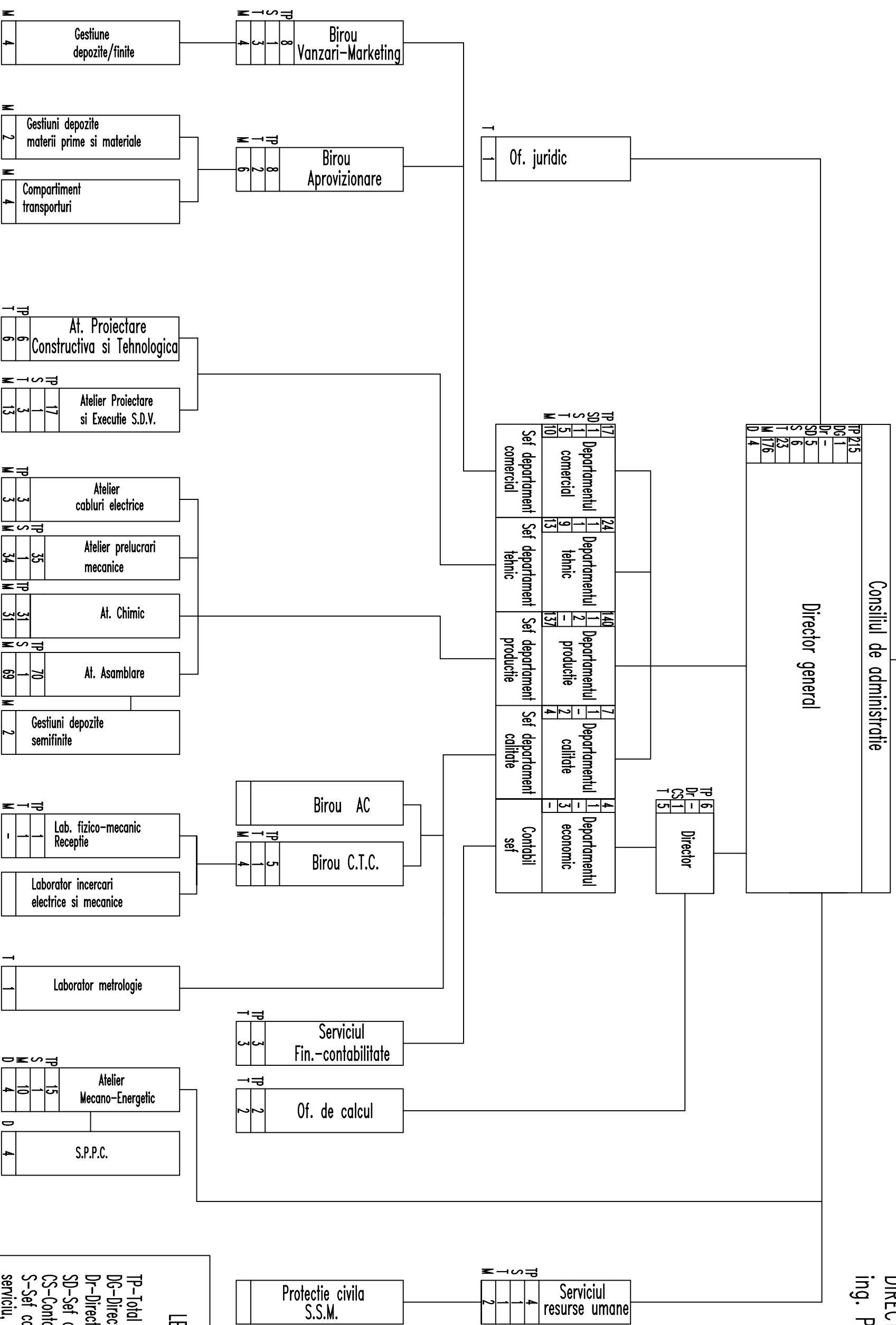


Adunarea generala a actionarilor

PRESEDINTELE  
 CONSILIULUI DE ADMINISTRATIE  
 DIRECTOR GENERAL  
 ing. PRUSU TRAIAN



TOTAL PERSONAL	MUNCITORI				PERSONAL DE CONDUCERE SI EXECUTIE GENERALA (T+SD+S)	Deservire
	TOTAL	DIN CARE	DIRECT PRODUCTIVI	INDIRECT PRODUCTIVI		
215	176	145	31	35	4	

**LEGENDA:**  
 TP-Total personal  
 DG-Director general  
 Dr-Director  
 SD-Sef departament  
 CS-Contabil sef  
 S-Sef compartiment, birou, serviciu, atelier  
 T-Personal TESA  
 M-Muncitor  
 D-Deservire (PS)